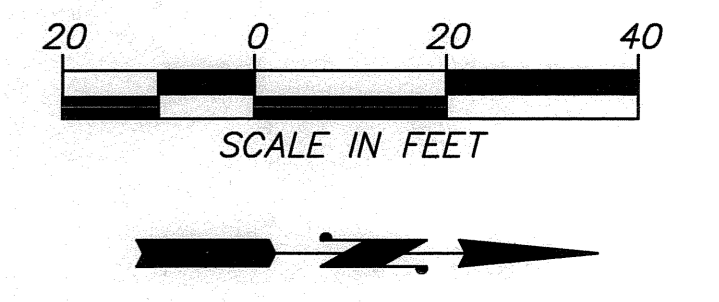


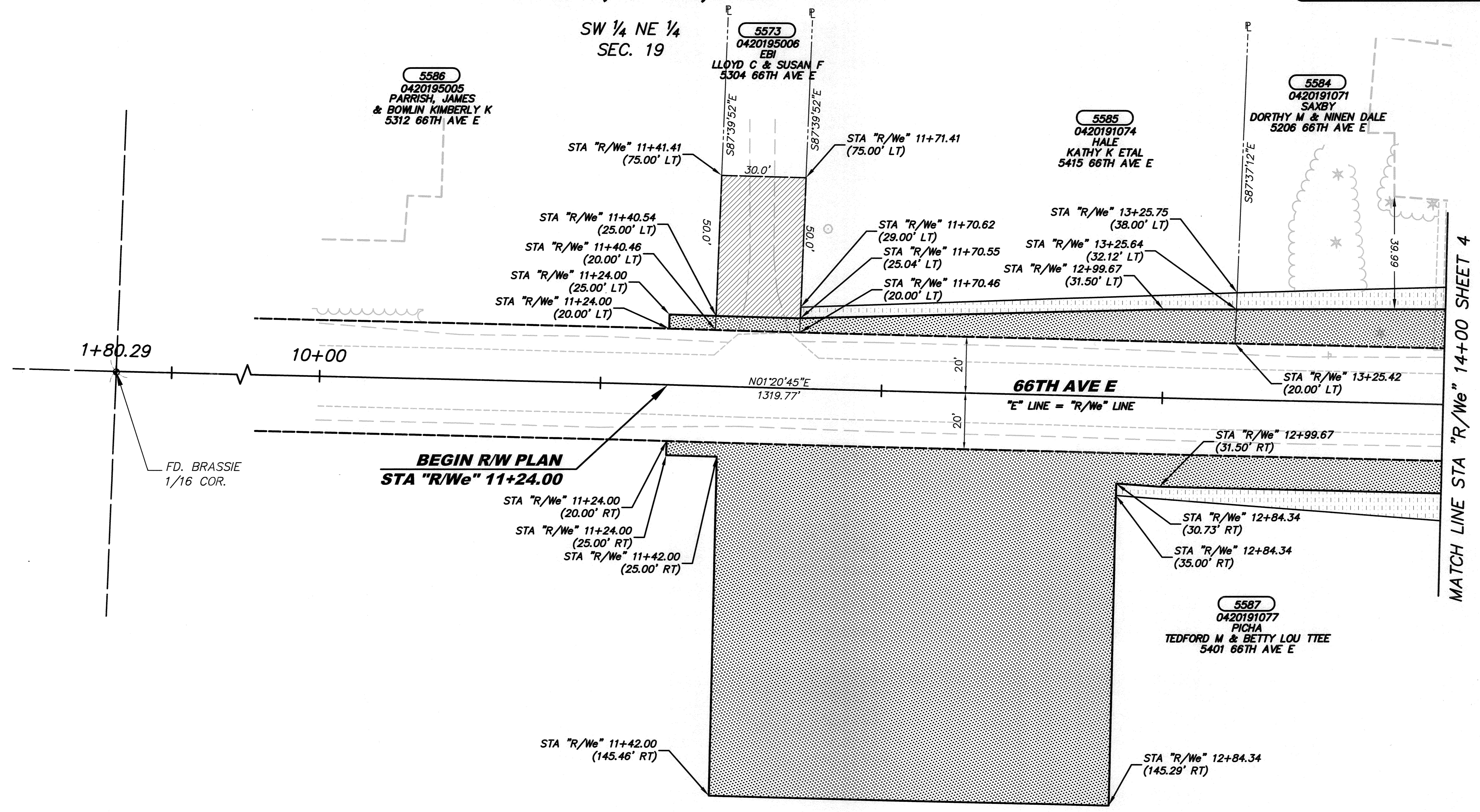
**T. 20 N, R. 4 E., W.M.**

REGION NO.	STATE	FEDERAL AID PROJECT NO.	SHEET NO.	TOTAL SHEETS
10	WASH.	STPUL 3170(003)	11	20

CALL 2 WORKING DAYS BEFORE YOU DIG  
**1-800-424-5555**  
 UTILITIES UNDERGROUND LOCATION CENTER



**NOTE:**  
 PROPERTY LINES OF THE ADJACENT PARCELS SHOWN ON THESE PLANS ARE LOCATED BY INTERPRETATION OF DEEDS AND OTHER INFORMATION FOUND IN THE PUBLIC RECORD AND SHOULD NOT BE CONSTRUED AS AN ACTUAL SURVEY.



**SE 1/4 NE 1/4  
 SEC. 19**

OWNERSHIP					
PARCEL NO.	NAME	TOTAL AREA	R/W ACQUISITION	REMAINDER	SLOPE ESMT / DRAINAGE ESMT
5573	EBI, LLOYD C & SUSAN F	232,610 SF	150 SF	232,460 SF	
5584	SAXBY, DORTHY M & NINEN DALE			SEE SHEET 4	
5585	HALE, KATHY K ETAL	40,946 SF	1,374 SF	39,572 SF	718 SF
5586	PARRISH, JAMES & BOWLIN KIMBERLY K	94,090 SF	82 SF	94,008 SF	
5587	PICHA, TEDFORD M & BETTY LOU TTEE			SEE SHEET 4	

<b>DRAWN BY:</b> C. LAKOSE	<b>BOOK NO.:</b> 1424
<b>DESIGNED BY:</b> L. SANFORD	<b>SURVEYED BY:</b> D. AUCKLAND
<b>CHECKED BY:</b> R. SCHLONGA, P.E.	<b>DATE SURVEYED:</b> 6-30-2000
<b>REVIEWED BY:</b> P. BAUGHMAN, P.E.	<b>DATE PLOTTED:</b> Oct. 2012

NO.	DATE	REVISION	BY	APPROVED

**Pierce County**  
 Public Works and Utilities  
 Office of the County Engineer  
 Tacoma Mall Office Building  
 4301 South Pine Street, Suite 446  
 Tacoma, Washington 98409-7207  
 An APWA Accredited Agency

County Engineer  
 APPROVED BY:  
  
 BRIAN D. STACY, P.E. DATE: 10-17-12  
  
 RAMIRO A. CHAVEZ, P.E., PGMP  
 PROJECT ENGINEERING MANAGER

**CANYON RD E NORTHERLY EXTENSION**  
**62ND AVE E TO 45TH ST CT E**  
**RIGHT OF WAY PLAN SHEET**  
**CRP 5498**

Drawing: P:\5498-525TE70AVE\ENGRS\DRAWINGS\RIGHTOFWAY\PLANSHEETS\5498RPOFWPLANS02.DWG Layout Tab: ROW 11  
 Xrefs: 5498DESIGNINDEX.DWG / 5498-5643-TOPINDEX.DWG / 5498 ROW INDEX.DWG / 5498ORTHINDEX.DWG / 5498-525TE70AVE\SURVEINDEX.DWG  
 Date: 10/10/2012 Time: 02:08:33 PM Plotted by: CLAKOSE