

SECTION F

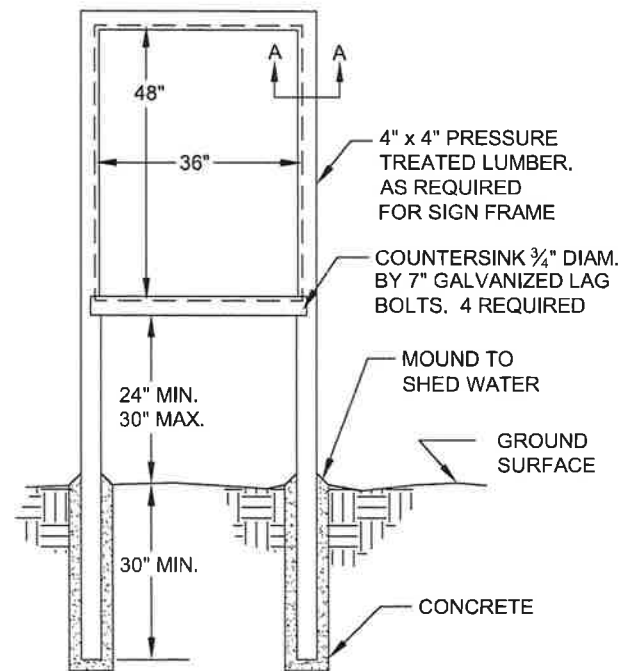
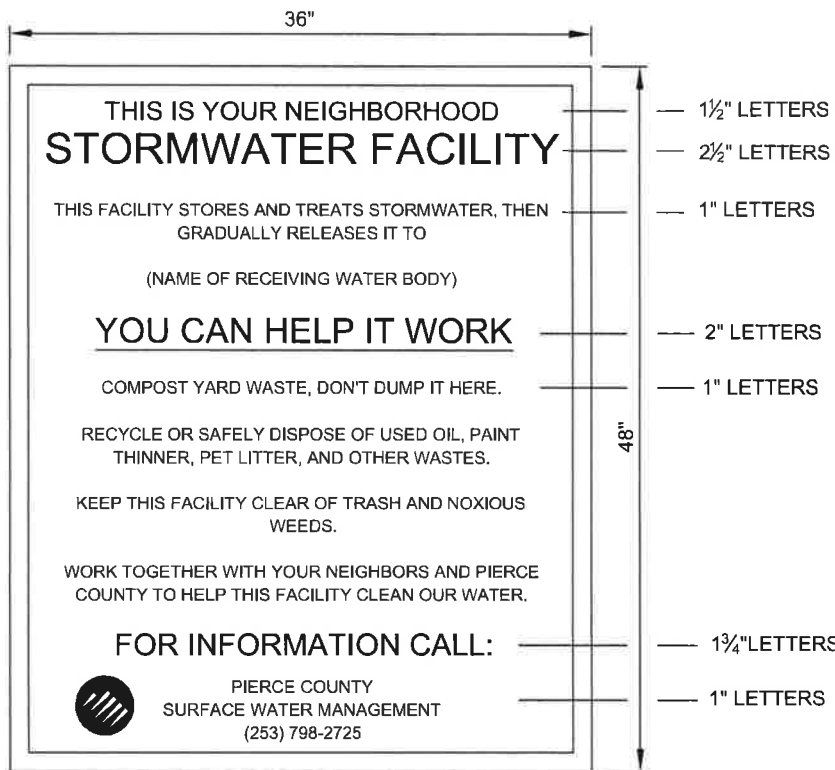
**STORMWATER FACILITY INFORMATIONAL
SIGN SPECIFICATIONS**

Page Left Intentionally Blank

STORMWATER FACILITY INFORMATIONAL SIGN SPECIFICATIONS

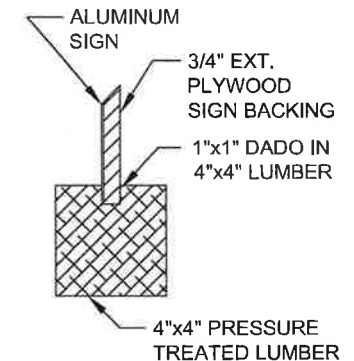
The Proponent is responsible for obtaining and installing a metal sign for the stormwater facility. Verify with the County what receiving water names(s) and contact department name and telephone numbers to be affixed to the sign.

The sign shall be installed on the street side of the stormwater facility, or in a location highly visible to passers-by. The sign may be affixed to a pressure-treated wood post and placed in concrete in the ground, or may be firmly attached to a pole or fence adjacent to the stormwater facility. It is the Proponents responsibility or it's successors in interest (the Homeowners Association) to ensure the sign is on the site and to replace same if necessary due to loss, vandalism or theft.



NOTES:

1. SIGN WILL BE ALUMINUM, 1/8" THICK.
2. PUBLIC FACILITIES-BLUE LETTERING, INTERSTATE BLUE, ON A WHITE BACKGROUND WITH THE PIERCE COUNTY LOGO.
3. PRIVATE FACILITIES - BLACK LETTERING ON A TAN BACKGROUND.
4. USE BOLD SANS-SERIF FONT STYLE.
5. IF PROJECT IS PRIVATE, GIVE HOA OR OWNER CONTACT EMAIL.
6. SIGN IS TO BE PLACED 4' INSIDE PERIMETER FENCE.



Pierce County

Public Works
Surface Water Management Division
2702 S 42nd Street, Suite 201
Tacoma, Washington 98409-7322

DATE	REVISION	APPR'D	DRAWN
6/2015	2015 SWMM UPDATE	HPH	RUTKOSKY
6/2012	2012 SWMM UPDATE	HPH	RUTKOSKY
5/2008	PUBLISH DATE	HPH	RUTKOSKY

HANS P. HUNGER, P.E.
C.I.P. MANAGER

Surface Water Management Division

ALUMINUM PROJECT SIGN

(NOT TO SCALE)

1.0