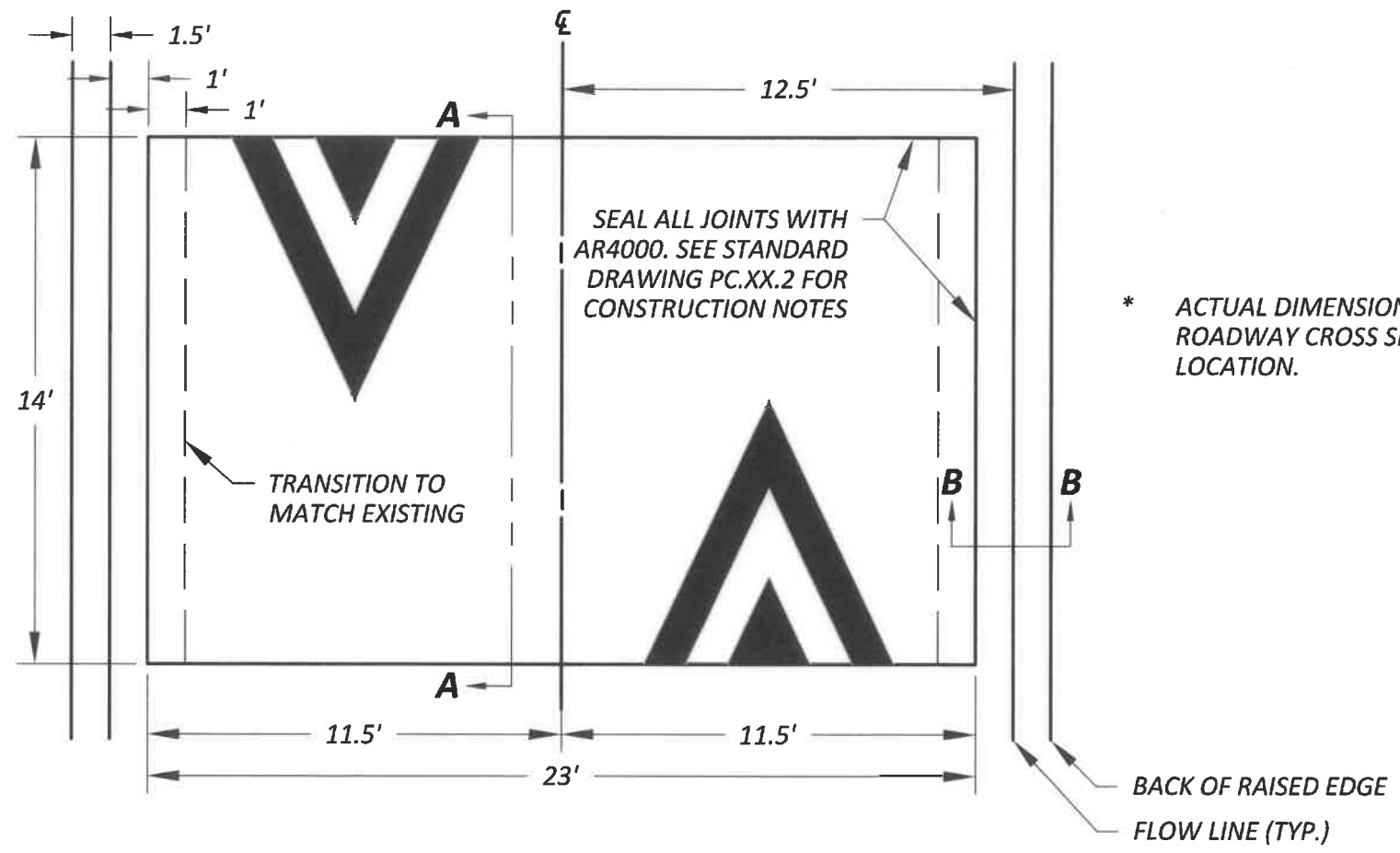


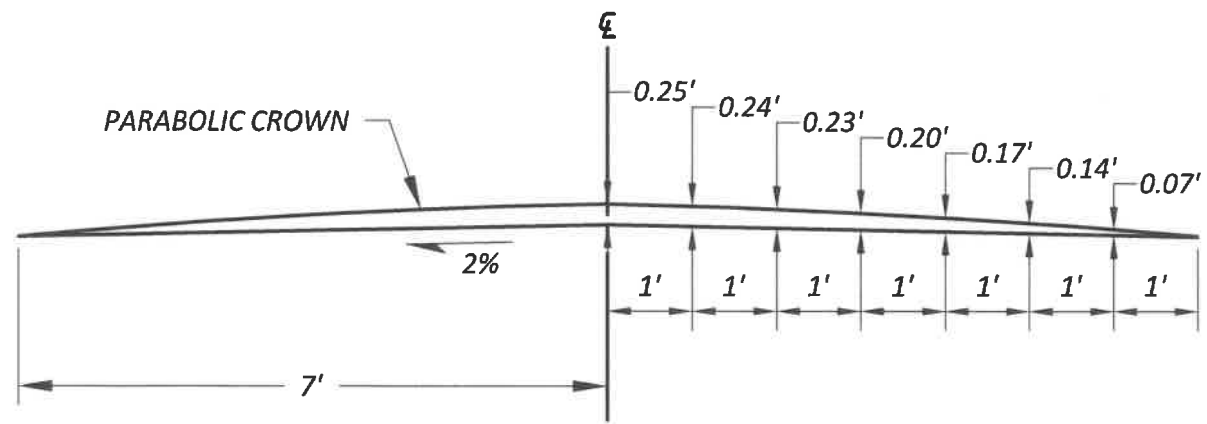
# Summary of Standard Drawing Changes April 2019

<b>Std Dwg No.</b>	<b>Summary of Changes</b>
PC.H4.1	NEW: Speed Hump - Sheet 1 of 2
PC.H4.2	NEW: Speed Hump - Sheet 2 of 2

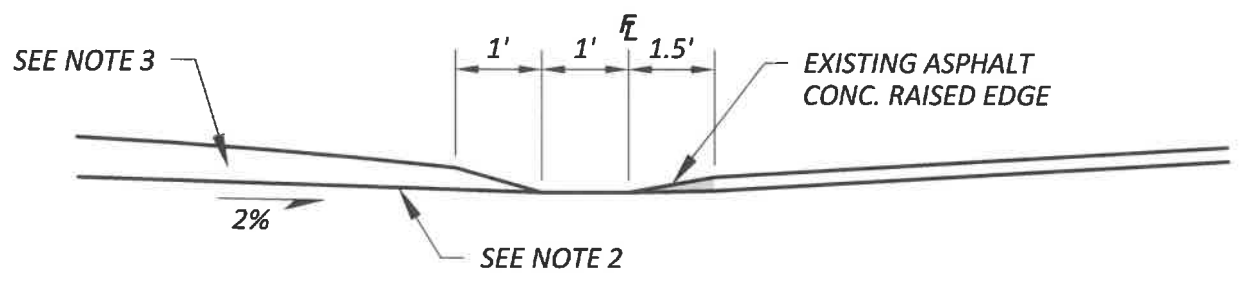


\* ACTUAL DIMENSIONS SHALL BE DESIGNED BASED ON THE ROADWAY CROSS SECTION AT EACH PROPOSED SPEED HUMP LOCATION.

**PLAN VIEW**

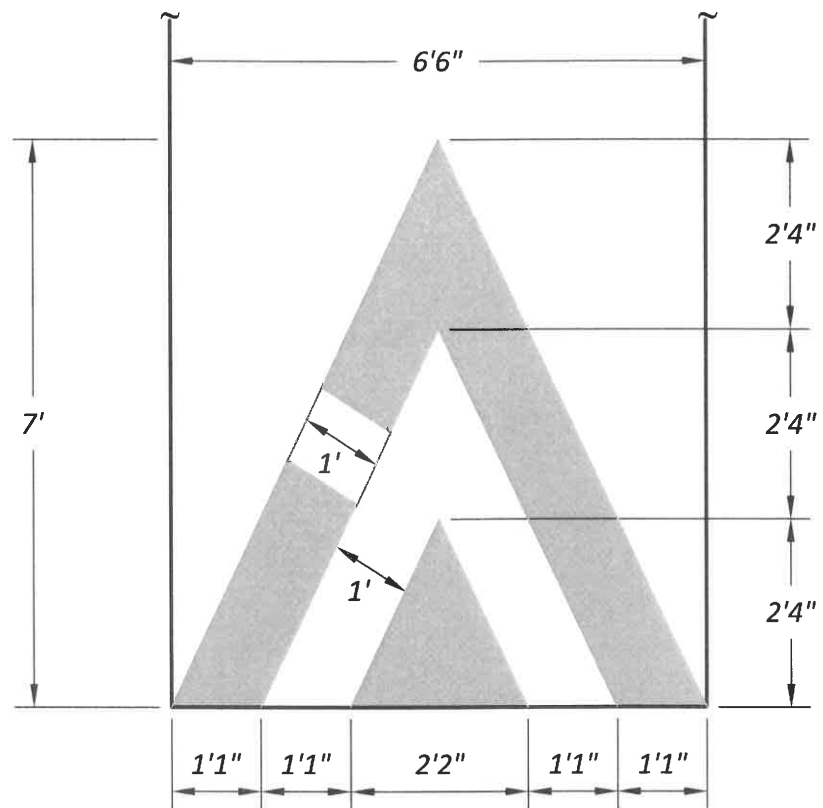


**SECTION A-A**

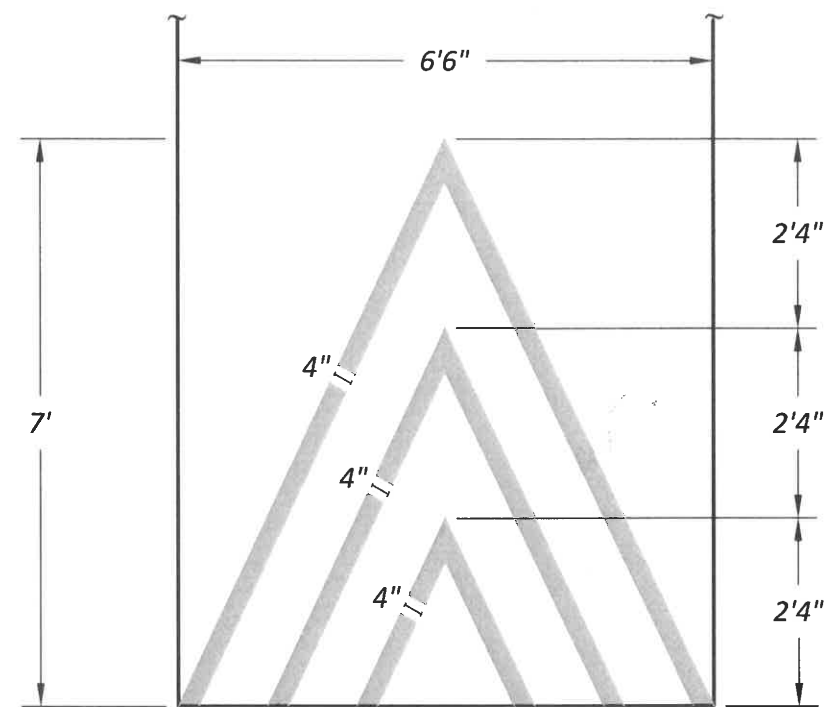


**SECTION B-B**

(NOT TO SCALE)



**PERMANENT MARKING DETAIL**



**TEMPORARY MARKING DETAIL**

**NOTES:**

- 1) EACH SPEED HUMP SHALL BE CONSTRUCTED AT A RIGHT ANGLE TO THE CENTERLINE ALIGNMENT OF THE ROADWAY.
- 2) FOR EXISTING PAVEMENT SURFACE PREPARATION SEE WSDOT STANDARD SPECIFICATIONS, 5-04.3(5)A.
- 3) ASPHALT USED FOR SPEED HUMP CONSTRUCTION SHALL BE COMMERCIAL GRADE HOT MIX ASPHALT (HMA). FOR ADDITIONAL INFORMATION ON ASPHALT AND CONSTRUCTION SEE WSDOT STANDARD SPECIFICATIONS 5-04.
- 4) CONTRACTOR MAY PROVIDE AS AN OPTION AN ALTERNATE CONSTRUCTION TECHNIQUE (E.G. BUTT GRIND 1.5-FOOT WIDTH ACROSS LEADING EDGE OF SPEED HUMP TO PREVENT UNRAVELING). ALTERNATE CONSTRUCTION TECHNIQUE SHALL BE DISCUSSED AT PRE-CONSTRUCTION MEETING AND BE APPROVED BY THE PROJECT ENGINEER PRIOR TO IMPLEMENTATION. NO ADJUSTMENT TO UNIT BID PRICE SHALL BE MADE. ALL OTHER CONSTRUCTION ITEMS SHALL BE REQUIRED AS SPECIFIED IN CONTRACT DOCUMENTS.
- 5) CONTRACTOR SHALL PROVIDE TEMPORARY SPEED HUMP MARKINGS PRIOR TO LEAVING WORKSITE THE DAY OF CONSTRUCTION. CONTRACTOR SHALL MAINTAIN TEMPORARY MARKINGS FOR A MAXIMUM OF SEVEN WORKING DAYS, AT WHICH TIME COUNTY FORCES SHALL HAVE INSTALLED PERMANENT MARKINGS. CONTRACTOR TO NOTIFY RICK BUTNER, TRAFFIC OPERATIONS CENTER AT (253) 798-8000, 3 DAYS IN ADVANCE OF TEMPORARY MARKINGS AND INSTALLATION.
- 6) CONTRACTOR SHALL SEAL ALL ASPHALT SPEED HUMP JOINTS WITH AR4000 OIL APPROVED OR APPROVED EQUAL PER WSDOT STANDARD SPECIFICATIONS 5-04.2.

(NOT TO SCALE)