

(NOT TO SCALE)



Pierce County

Public Works and Utilities
 Office of the County Engineer
 Tacoma Mall Office Building
 4301 South Pine Street, Suite 446
 Tacoma, WA 98409-7207

DATE	REVISION	APPROVED	DRAWN

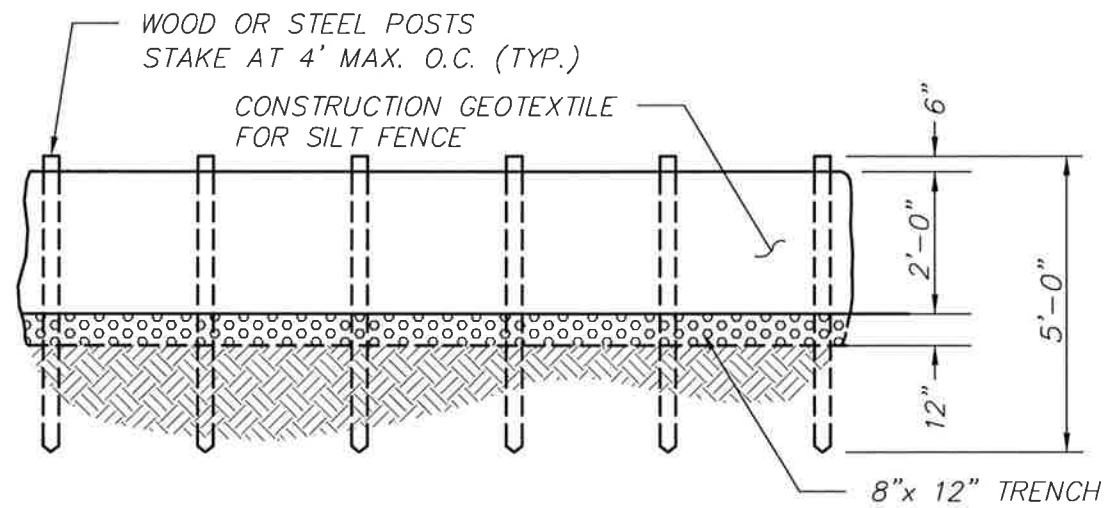


BRIAN D. STACY, P.E.
COUNTY ENGINEER

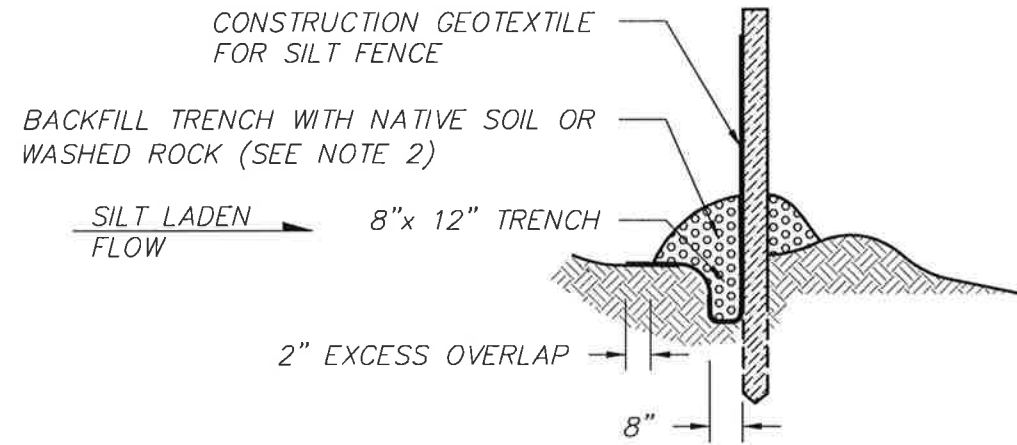
Office of the County Engineer

**CONSTRUCTION
 FENCE**

PC.L1

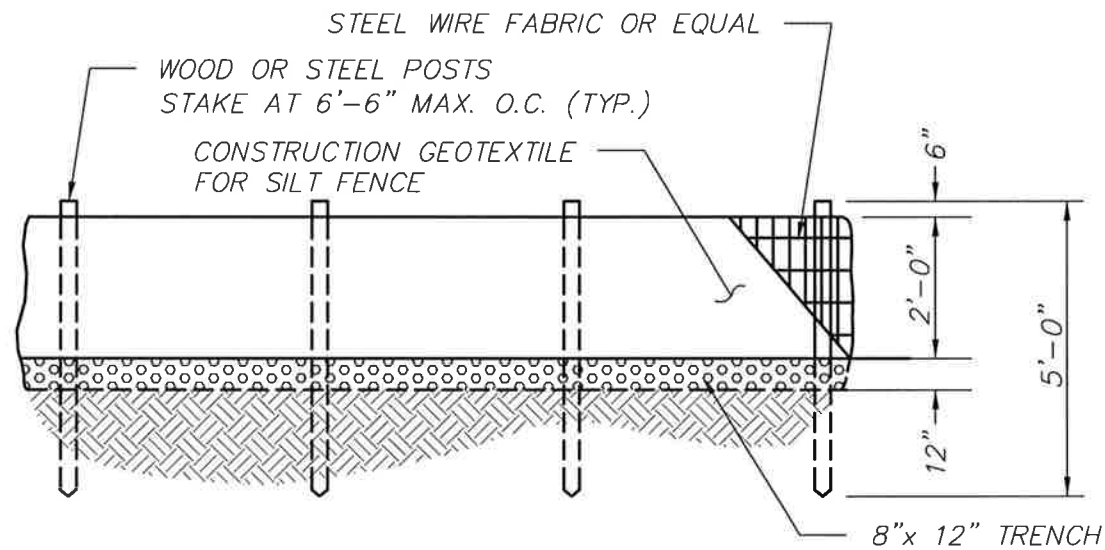


ELEVATION

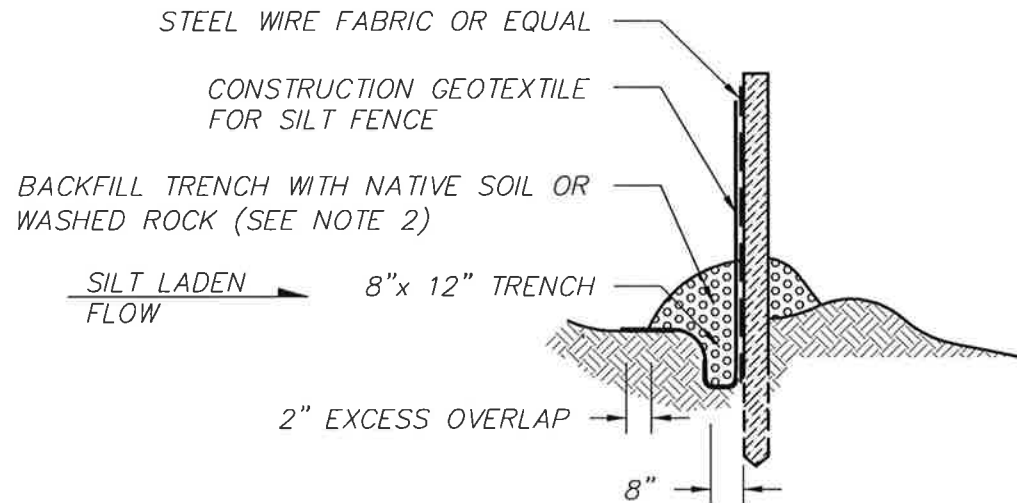


TYPICAL CROSS-SECTION

OPTION 1 - UNSUPPORTED BETWEEN POSTS



ELEVATION



TYPICAL CROSS-SECTION

OPTION 2 - SUPPORTED BETWEEN POSTS WITH WIRE

NOTES:

- 1) SEE WSDOT STANDARD SPECIFICATIONS SECTIONS 8-01.3(9)A & 9-33.
- 2) WASHED ROCK SHALL BE IN ACCORDANCE WITH WSDOT STANDARD SPECIFICATIONS SECTION 9-03.1(4)C, AASHTO GRADING NO 57.

(NOT TO SCALE)



Pierce County

Public Works and Utilities
Office of the County Engineer
Tacoma Mall Office Building
4301 South Pine Street, Suite 446
Tacoma, WA 98409-7207

DATE	REVISION	APPROVED	DRAWN

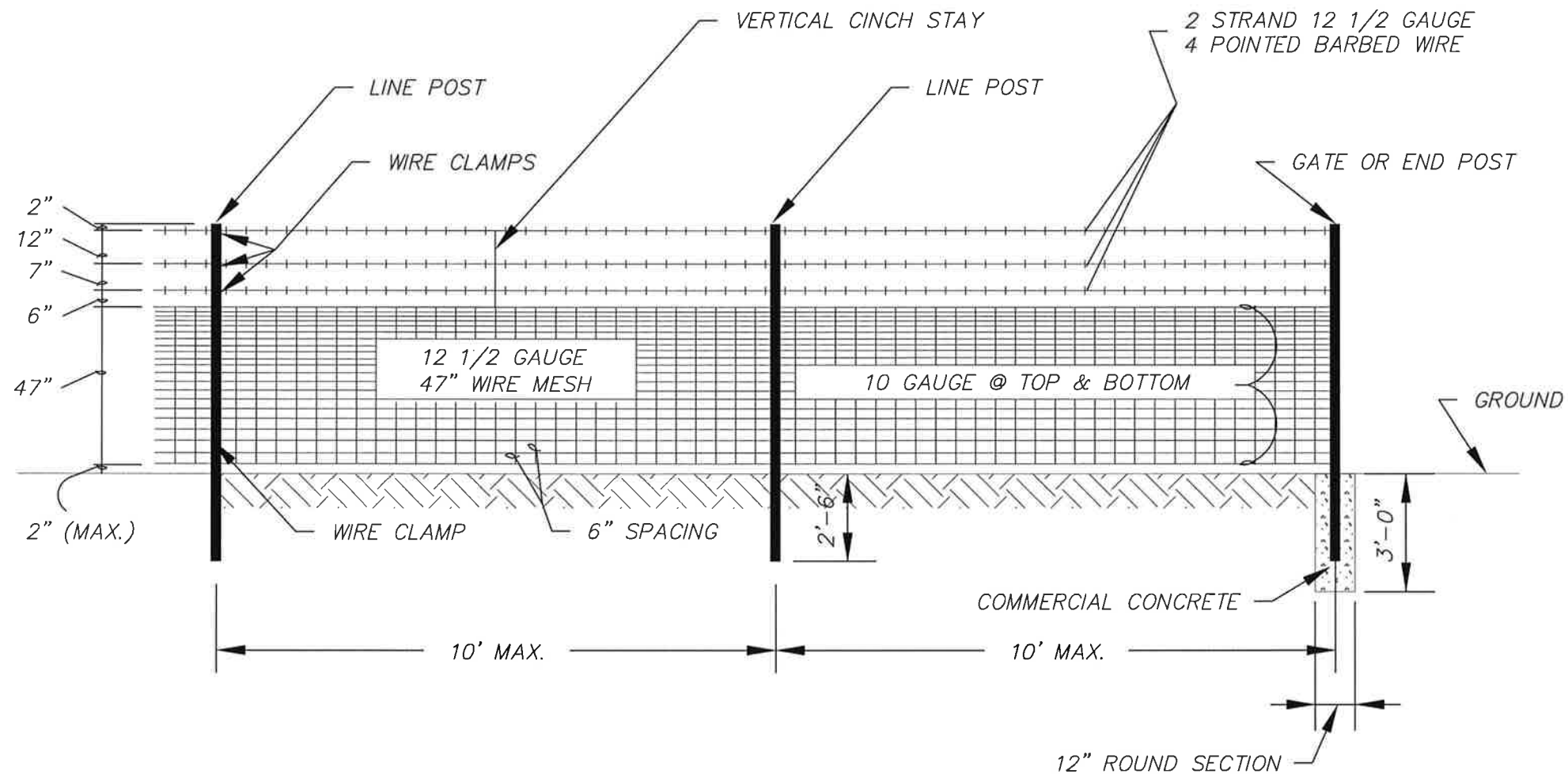


BRIAN D. STACY, P.E.
COUNTY ENGINEER

Office of the County Engineer

SILT FENCE

PC.L2.1



NOTES:

- 1) WIRE MESH TO BE PLACED WITH THE NARROW MESH AT THE TOP.
- 2) FOUR WIRE CLAMPS PER POST REQUIRED FOR MESH WIRE. THREE ADDITIONAL CLAMPS PER POST IN SAG SECTION.

(NOT TO SCALE)



Pierce County

Public Works and Utilities
 Office of the County Engineer
 Tacoma Mall Office Building
 4301 South Pine Street, Suite 446
 Tacoma, WA 98409-7207

DATE	REVISION	APPROVED	DRAWN

BRIAN D. STACY, P.E.
COUNTY ENGINEER
 7-1409
 Office of the County Engineer

WIRE FENCE
TYPE 1, MODIFIED
PC.L2.3