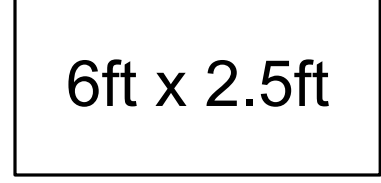
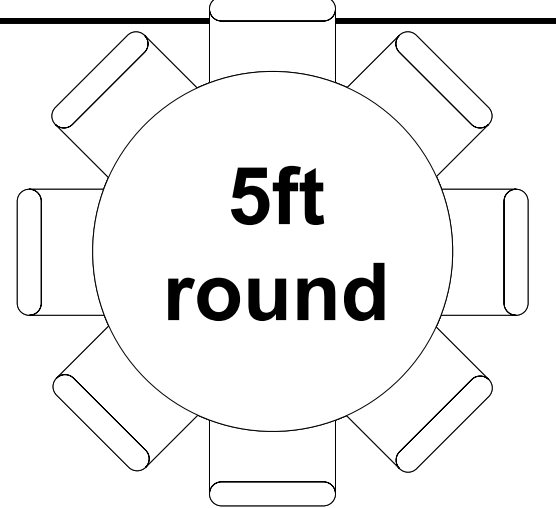


Rainier Room Setup: Option 2

Seating for 160



Customer Name _____ Event Date _____ Permit # _____