

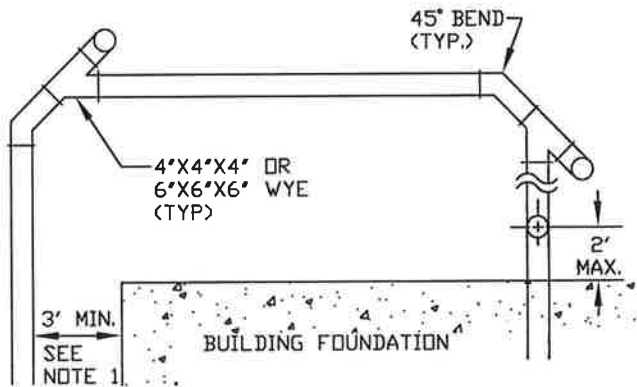
TYPICAL SIDE/BUILDING SEWER PROFILE

NOTE 1
BOTTOM OF PIPE MUST BE ABOVE 1:1 ZONE OF INFLUENCE FROM BUILDING FOUNDATION

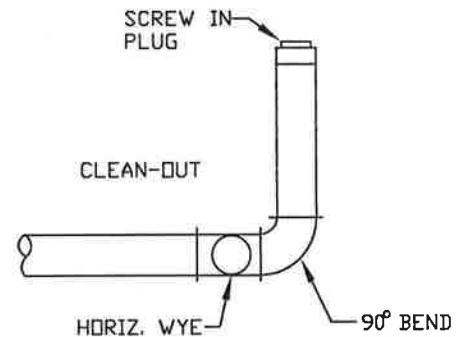
NOTES:

- 1.) ABS TO PVC USE PVC ADAPTOR, OR APPROVED EQUAL.
- 2.) PVC TO D.I.P. OR CONC. USE ROMAC COUPLING, OR EQUAL
- 3.) NO FERNCO TYPE COUPLINGS WILL BE ALLOWED, EXCEPT AT PLUMBING OUTLET.

NOTE:
100' MAX. BETWEEN CLEAN-OUTS.



TYPICAL BUILDING SEWER PLAN



CLEAN-OUT CONNECTION PROFILE

BEDDING MATERIAL SHALL BE PEA GRAVEL.

INITIAL TRENCH BACKFILL

THESE DETAILS PLUS THE PIERCE COUNTY ADMINISTRATION CODE, CURRENT ISSUE, CONSTITUTE TOTAL DESIGN AND CONSTRUCTION REQUIREMENTS.



PIERCE COUNTY PUBLIC WORKS & UTILITIES DEPARTMENT
SEWER UTILITY DIVISION
9850 64TH STREET WEST
UNIVERSITY PLACE, WASHINGTON 98487-1078
(253) 798-4050

STANDARD DETAILS

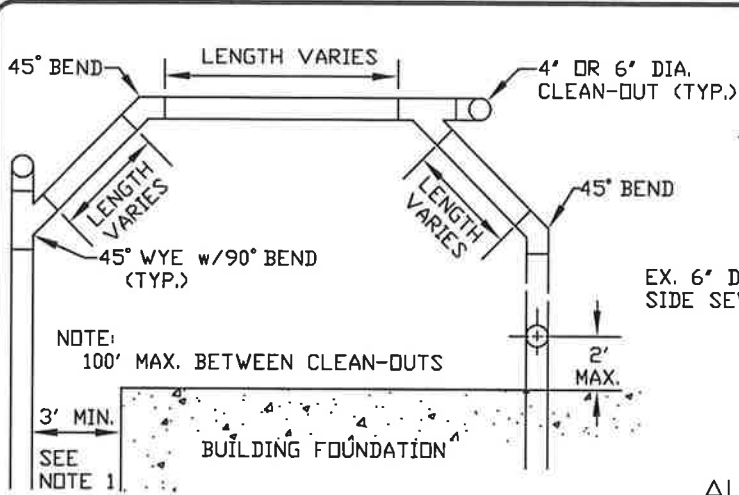
DATE
05/01/2011
SCALE
NTS

BUILDING SEWER
LAYOUT

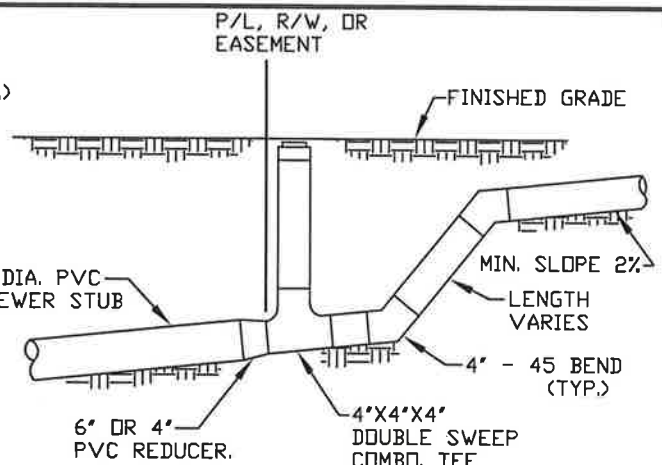
STANDARD DETAIL NO.

4001

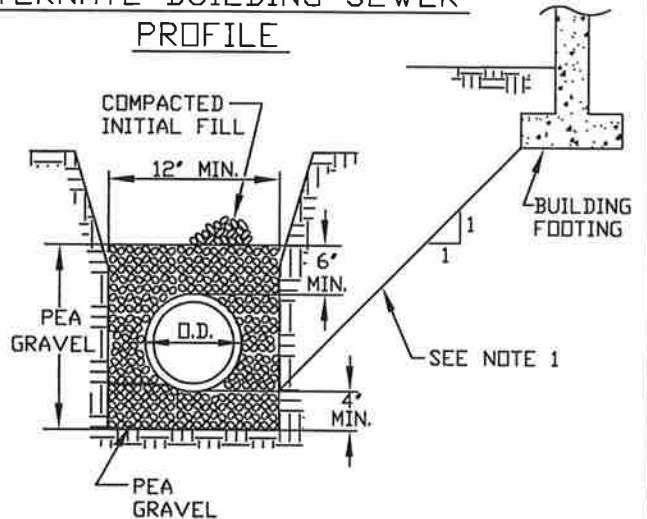
PAGE 1 OF 2



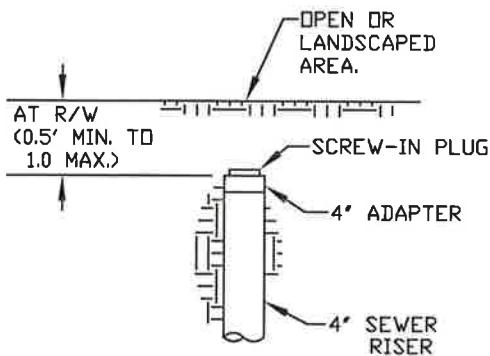
ALTERNATE BUILDING SEWER PLAN



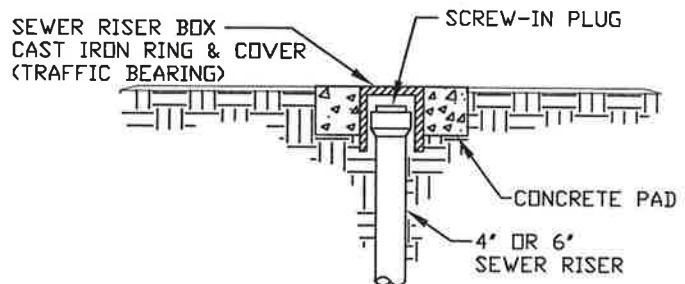
ALTERNATE BUILDING SEWER PROFILE



INSTALLATION BEDDING CROSS-SECTION



CLEAN-OUT COVER DETAIL IN OPEN AREA



CLEAN-OUT COVER DETAIL IN PAVEMENT OR DRIVING AREA



PIERCE COUNTY PUBLIC WORKS & UTILITIES DEPARTMENT
 SEWER UTILITY DIVISION
 9850 64TH STREET WEST
 UNIVERSITY PLACE, WASHINGTON 98467-1078
 (253) 798-4050

STANDARD DETAILS

DATE
 05/01/2011

SCALE
 NTS

BUILDING SEWER LAYOUT

STANDARD DETAIL NO.
4001
 PAGE 2 OF 2